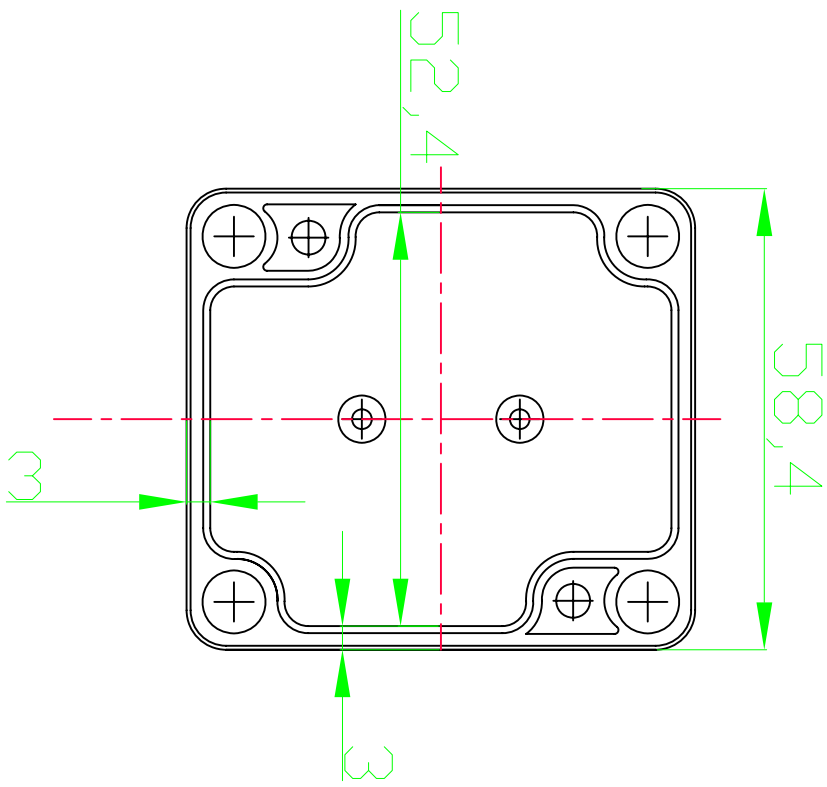
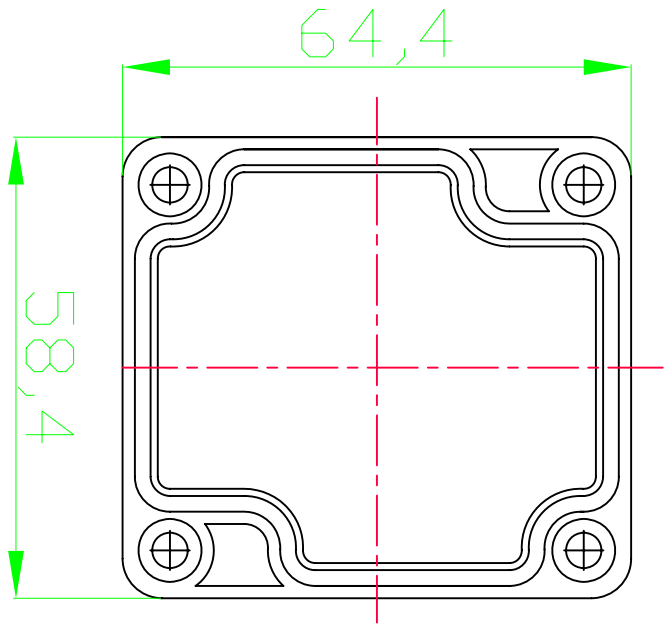


CHKD



DETACHED LISTS	
 THIRD ANGLE PROJECTION	(mm) TOLERANCES EXCEPT AS NOTED H9 f8 h9 k9 js9 ANGLE ± 5°
CHKD: <i>zhongjie</i> MFD: SUNNY APPVL: _____ MATERIAL: ABS	DATE: 01/12/09 DATE: 01/18/09 DATE: _____ QTY: 1
FINISH: _____ SCALE: 1:1	TITLE CN601
DRAWING NO. _____ /PART NO. _____ DO NOT SCALE DRAWING	SIZE: A4 REV: 1 SHEET 1 OF 1

CHINA ENCLOSURE
 赛诺模具壳体
 WWW.CHINA-ENCLOSURE.COM